

TUBING

Custom Tubing Sets
High Pressure Tubing
Pressure Monitoring Tubing

Custom Tubing

Over the last 30 years, Merit has developed the infrastructure needed for mass customization to meet the unique needs of individual clinics or physicians. This translates into a robust OEM service that allows you to receive a customized configuration as a bulk non-sterile product or even a private labeled sterile product.



ASPIRATION SETS • TUBING EXTENSION SETS • FLUID ADMINISTRATION SETS
HIGH PRESSURE TUBING • PRESSURE MONITORING TUBING



HOW MERIT HELPS OUR OEM CUSTOMERS:

- Tubing Set Design and Development
- Inline Quality Control
- Packaging Validations
- Sterilization Validations
- Private Labeling
- Regulatory Support

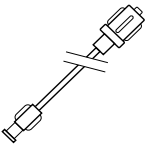
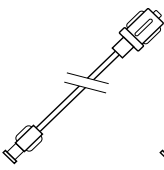
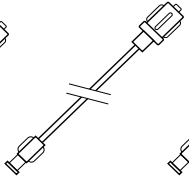
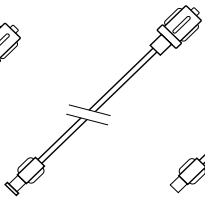
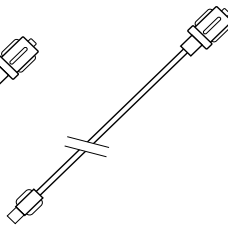
High Pressure Tubing

Rated at 1200 PSI (83 BAR)

Material: Flexible Nylon Braided Polyurethane

Male to Female

Airless Rotating Adapter

				
10" Length (25cm)	20" Length (51cm)	30" Length (76cm)	48" Length (122cm)	72" Length (183cm)
HPF100P	HPF200P	HPF300P	HPF480P	HPF720P

Fixed Male Connector

10" Length (25cm)	20" Length (51cm)	30" Length (76cm)	48" Length (122cm)	72" Length (183cm)
HPF101P	HPF201P	HPF301P	HPF481P	HPF721P

High Pressure Tubing

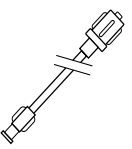
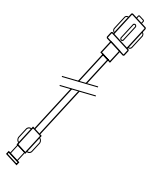
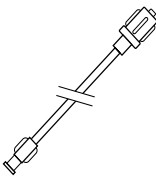
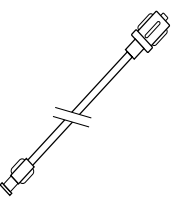
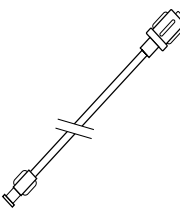
Rated at 1200, 900 and 500 PSI (83, 62 and 34 BAR)

Material: PVC, Clear

Male to Female

Airless Rotating Adapter

1200 PSI (83 BAR)
900 PSI (62 BAR)
500 PSI (34 BAR)

				
10" Length (25cm)	20" Length (51cm)	30" Length (76cm)	48" Length (122cm)	59" Length (150cm)
HPT100P	HPT200P	HPT300P	HPT480P	HPT590P
HP9100P	HP9200P	HP9300P	HP9480P	
HP5100P	HP5200P	HP5300P	HP5480P	

Fixed Male Connector

1200 PSI (83 BAR)
900 PSI (62 BAR)
500 PSI (34 BAR)

10" Length (25cm)	20" Length (51cm)	30" Length (76cm)	48" Length (122cm)	59" Length (150cm)
HPT101P	HPT201P	HPT301P	HPT481P	HPT591P
HP9101P	HP9201P	HP9301P	HP9481P	
HP5101P	HP5201P	HP5301P	HP5481P	



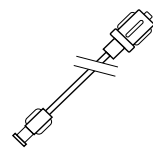
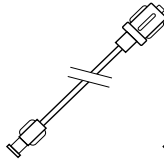
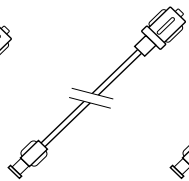
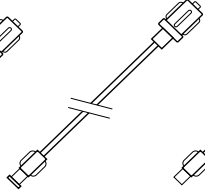
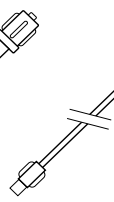
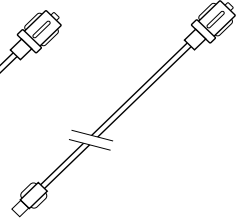
Excite™ High Pressure Tubing

Rated at 1200 PSI (83 BAR)

Material: Coextruded Nylon/Polyurethane

Male to Female

Airless Rotating Adapter

					
10" Length (25cm)	20" Length (51cm)	30" Length (76cm)	39" Length (100cm)	48" Length (122cm)	59" Length (150cm)
HPC100P	HPC200P	HPC300P	HPC390P	HPC480P	HPC590P

Fixed Male Connector

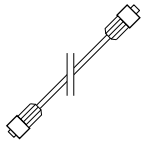
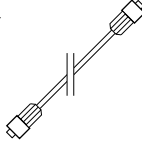
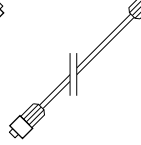
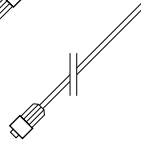
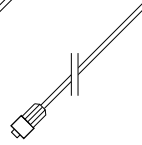
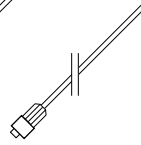
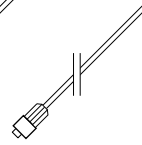
10" Length (25cm)	20" Length (51cm)	30" Length (76cm)	39" Length (100cm)	48" Length (122cm)	59" Length (150cm)
HPC101P	HPC201P	HPC301P	HPC391P	HPC481P	HPC591P

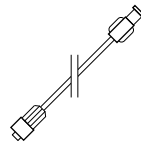
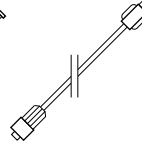
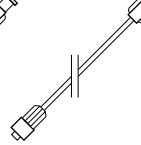
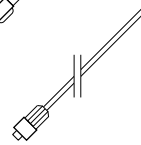
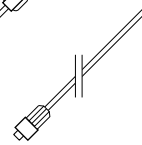
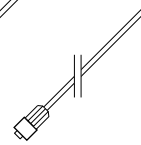


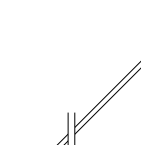
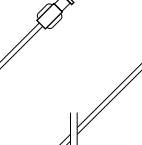
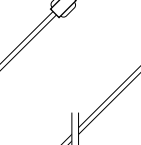
Pressure Monitoring Tubing

High Durometer, Non Expanding.

Material: PVC, Clear

							
Male to Male	6" Length (15cm)	12" Length (30cm)	24" Length (61cm)	36" Length (91cm)	48" Length (122cm)	60" Length (152cm)	72" Length (183cm)
	PM6006P	PM6012P	PM6024P	PM6036P	PM6048P	PM6060P	PM6072P

						
Male to Female	6" Length (15cm)	12" Length (30cm)	24" Length (61cm)	36" Length (91cm)	48" Length (122cm)	60" Length (152cm)
	PM6106P	PM6112P	PM6124P	PM6136P	PM6148P	PM6160P

			
Male to Female	72" Length (183cm)	84" Length (213cm)	96" Length (244cm)
	PM6172P	PM6184P	PM6196P



TUBING